

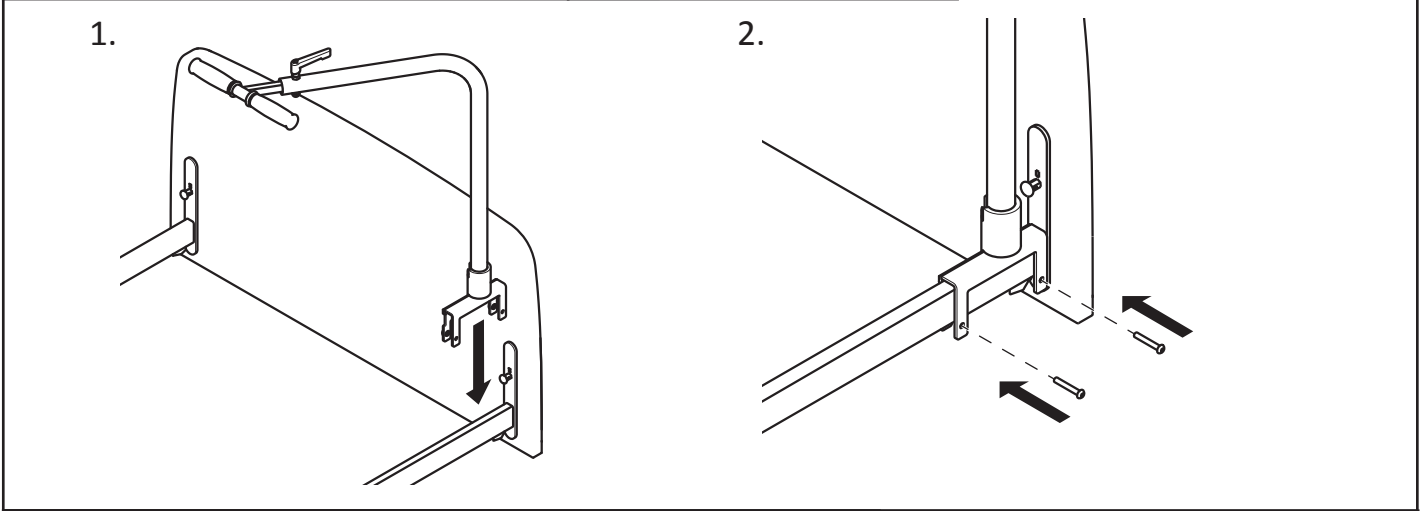


Invacare® NordBed™ Essential
 Invacare® NordBed™ Ultra
 Invacare® NordBed™ Optimo
 Invacare® NordBed™ Optimo Wide



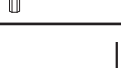
Invacare® NordBed™ Ultra
 Invacare® NordBed™ Optimo / Wide

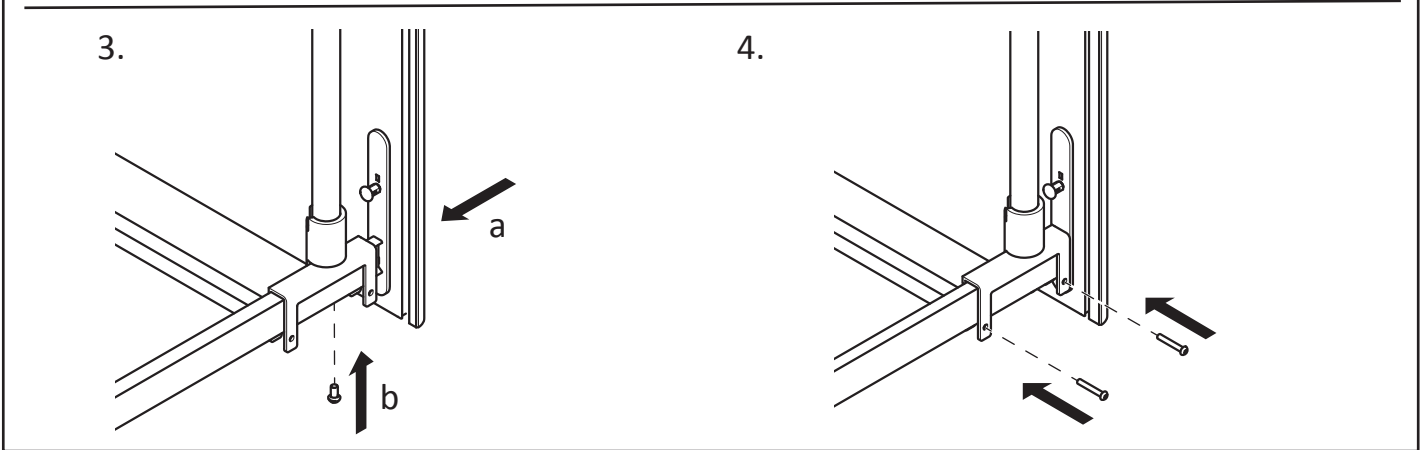
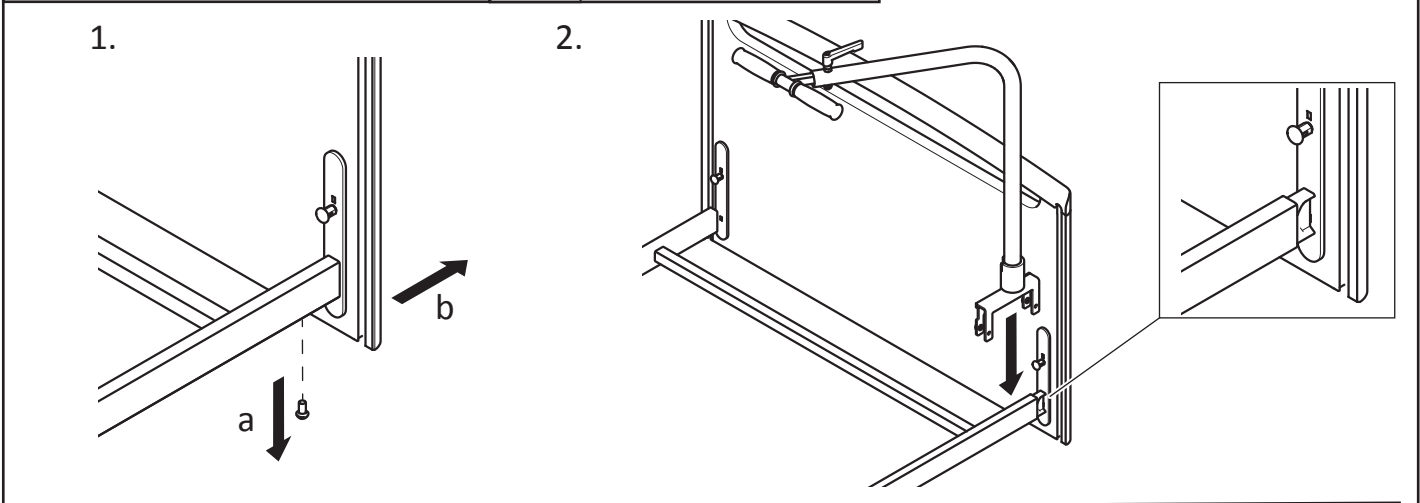
1x 4 mm



Invacare® NordBed™ Essential

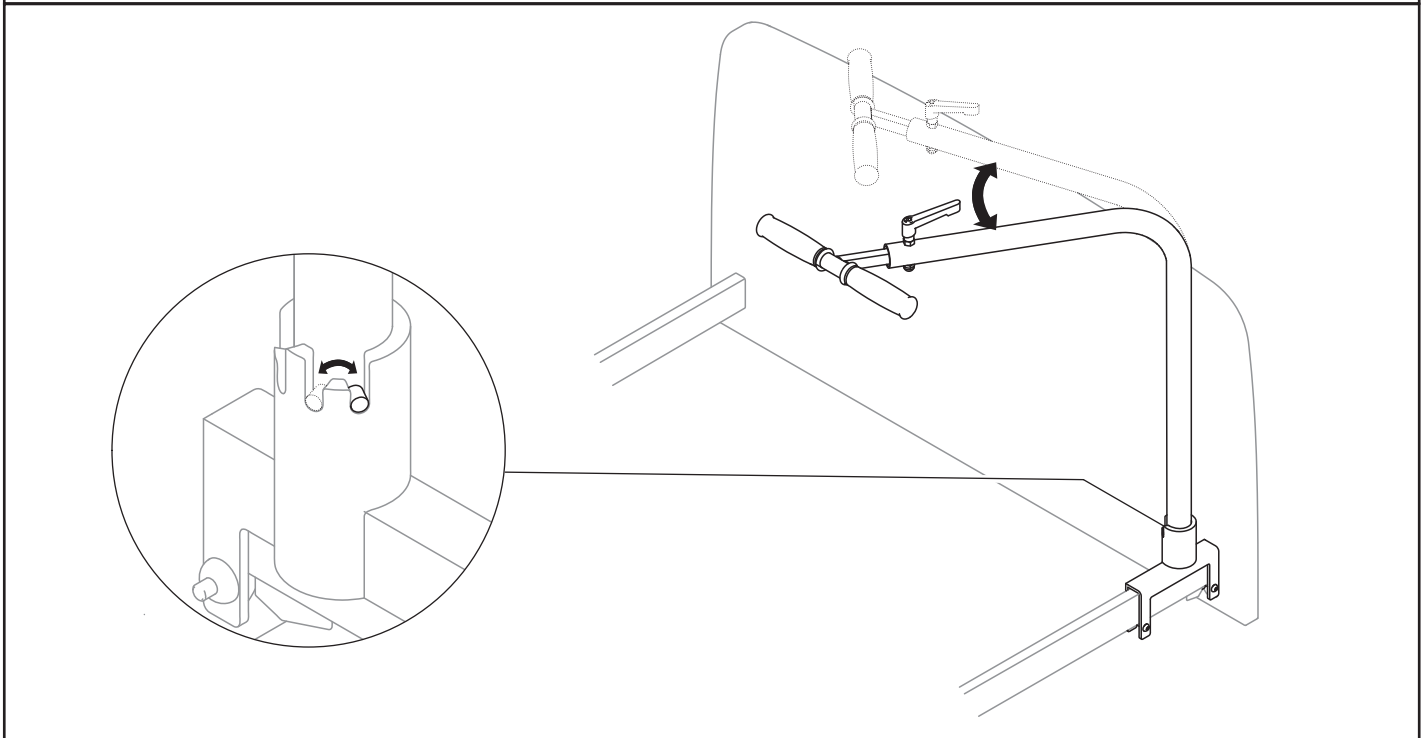
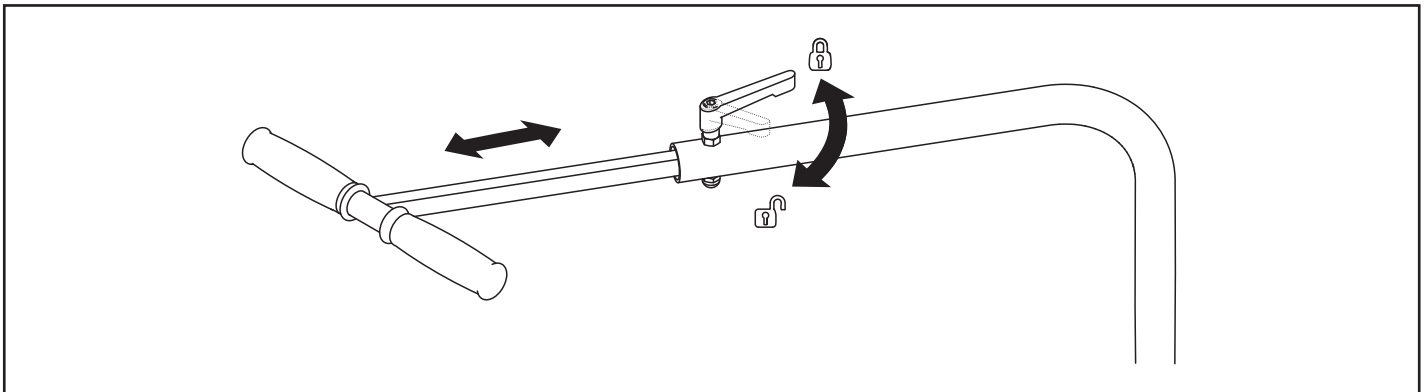
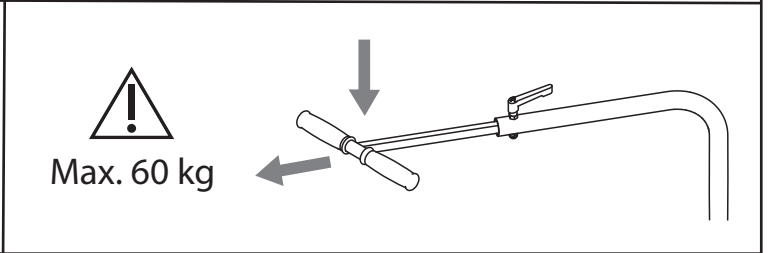
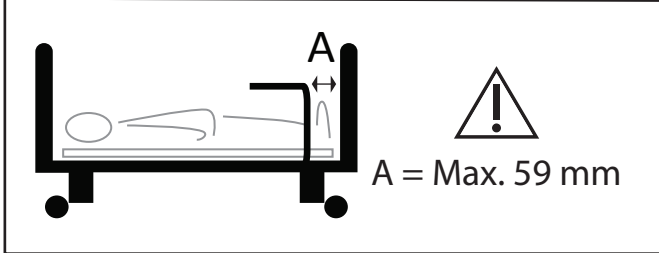
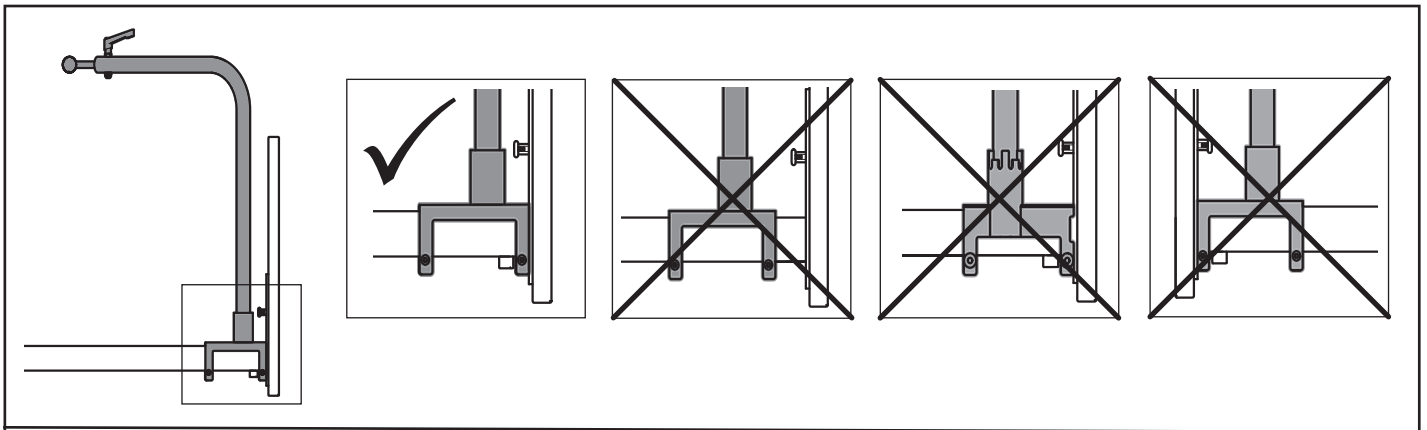




1x 4 mm
1x 5 mm



Invacare REA AB
 Växjövägen 303
 SE-343 71 Diö
 Sweden





Invacare REA AB
 Växjövägen 303
 SE-343 71 Diö
 Sweden

