




Mounting Instruction


Change wheel - Step Up
1536047, 1529019, 1531408


1536047

4x  2x 



4x  4x 



4x 


4x M8, 4x M10 


4x M8, 4x M10 


1529019

1x  1x 

1x  1x 

1x 

1x M8, 1x M10 

1x M8, 1x M10 

1531408

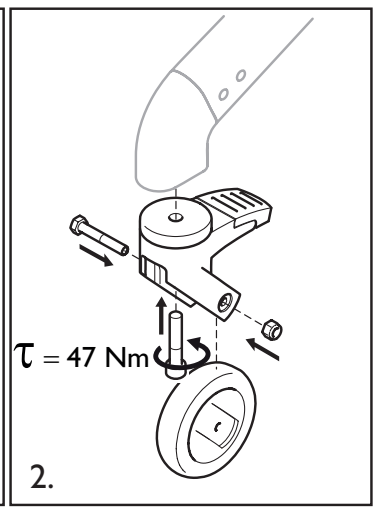
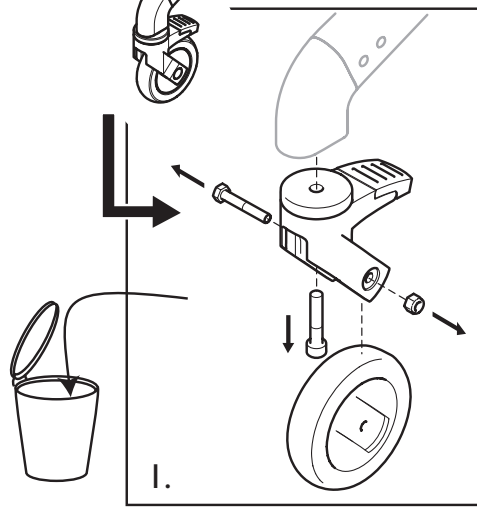
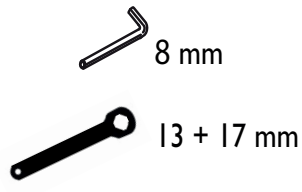
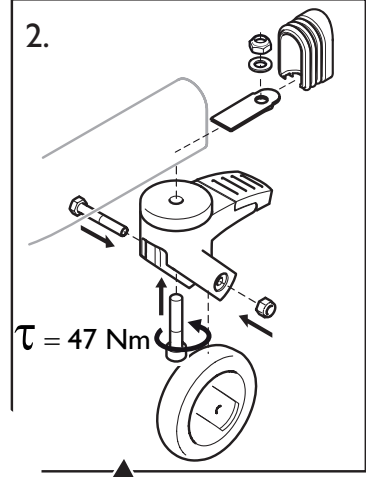
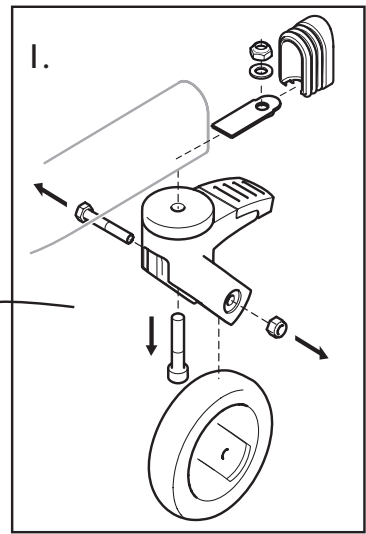
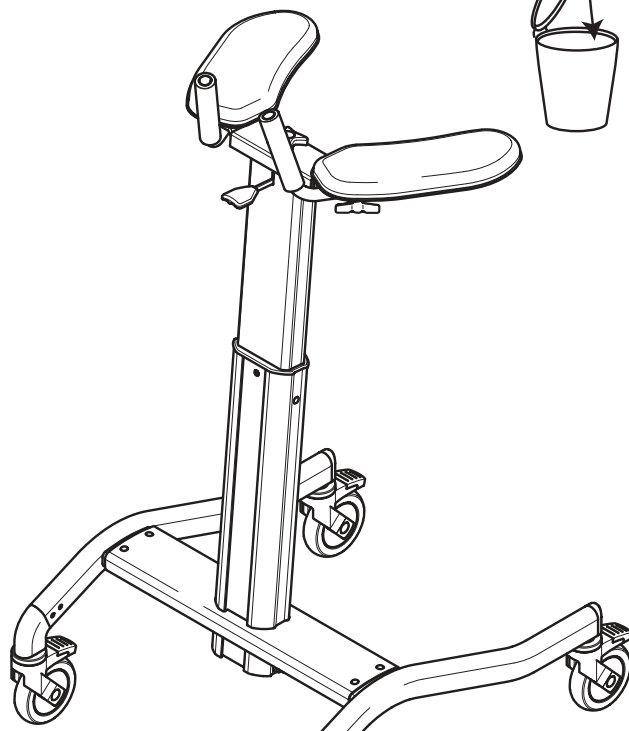
1x  1x 

1x  1x 


1x 

1x M8, 1x M10 

1x M8, 1x M10 



CE The procedures in this manual MUST be performed by a qualified technician.

 Manufacturer:
Invacare Rea AB
Växjövägen 303
SE-343 71 Diö
Sweden


DOLomite



Yes, you can.