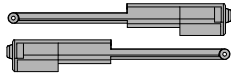




2x



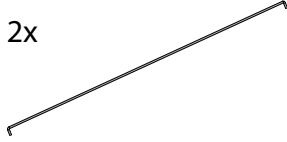
2x



1x



2x



2x



Mounting Instruction

Release system kit

for Britt V & Freya siderails

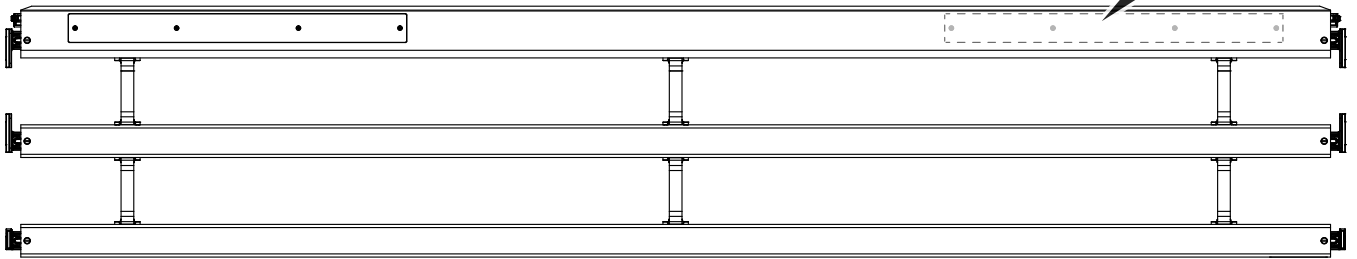
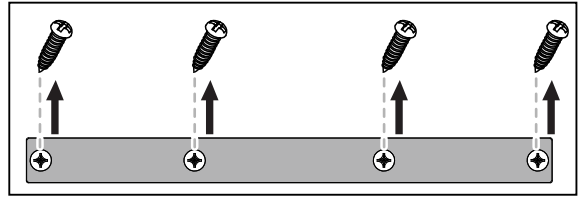
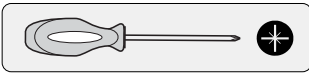
Invacare® Etude Plus

Invacare® SB755™

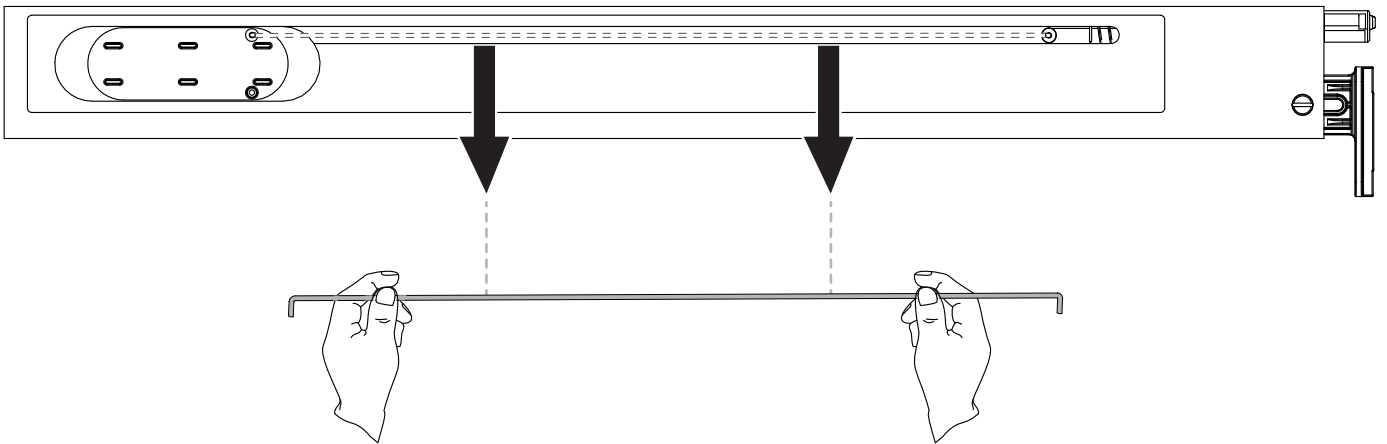
Invacare® NordBed™ Ultra



1.



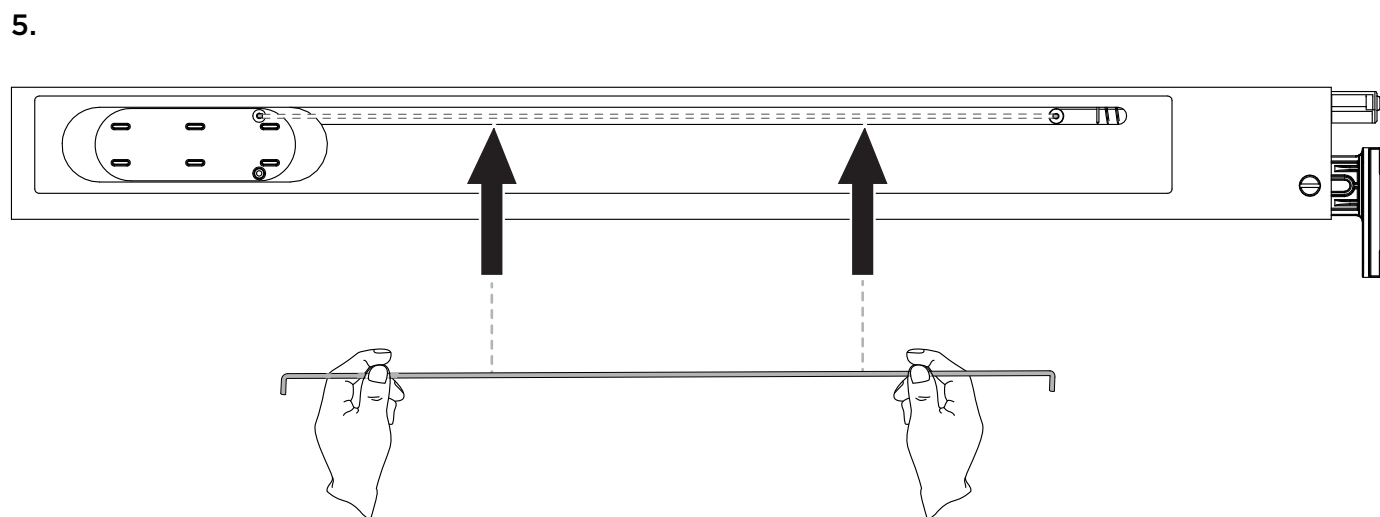
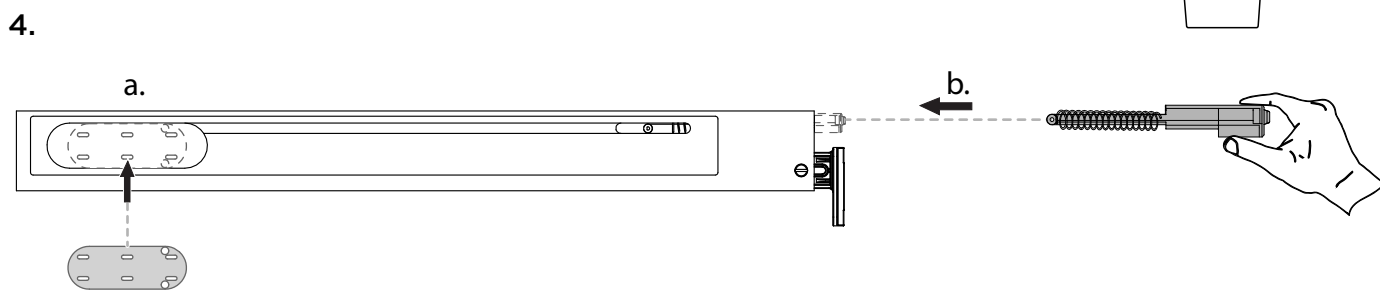
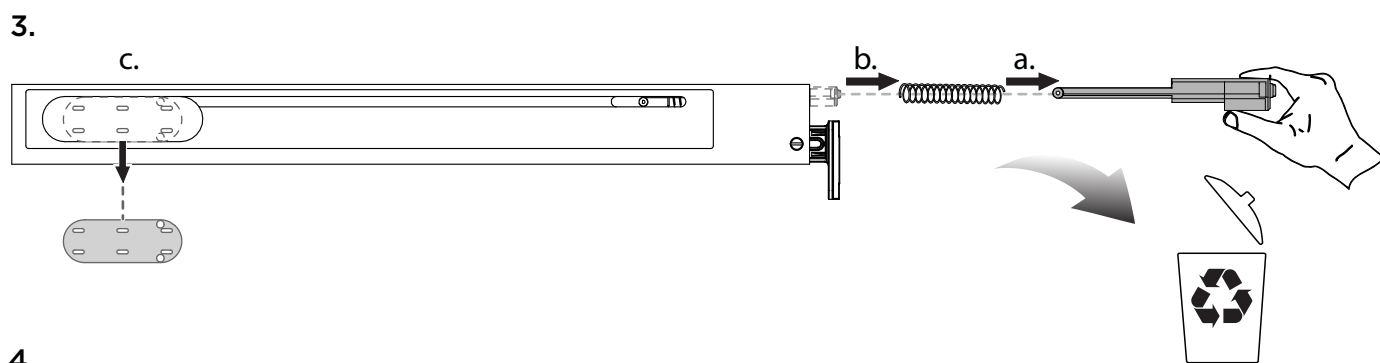
2.



Invacare Rea AB
Växjövägen 303
SE-343 71 Diö
Sweden



Release system kit for Britt V & Freya siderails



Invacare Rea AB
Växjövägen 303
SE-343 71 Diö
Sweden



Yes, you can.®