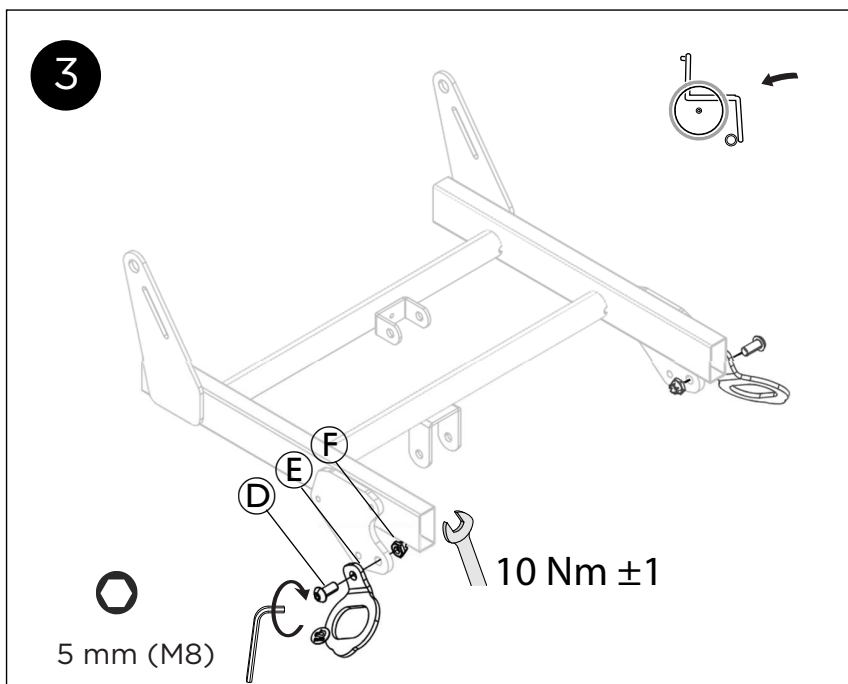
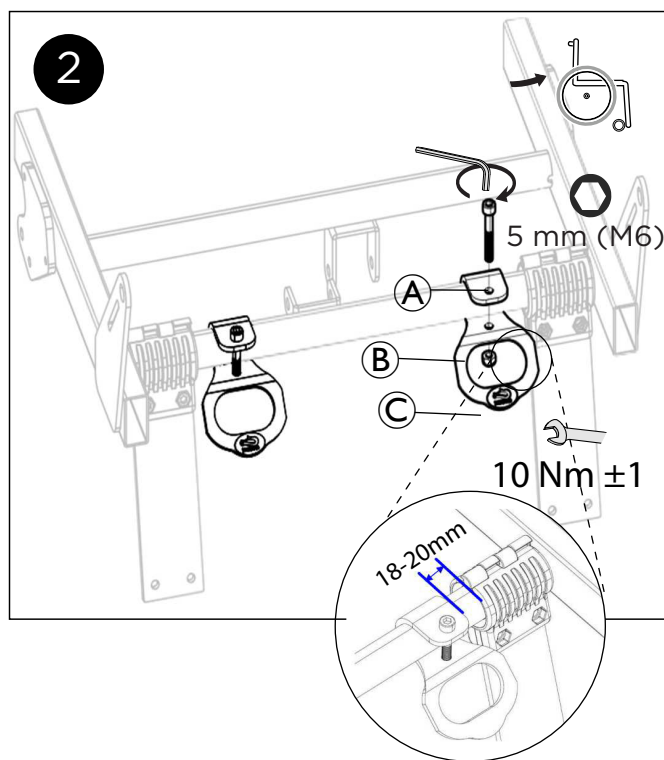
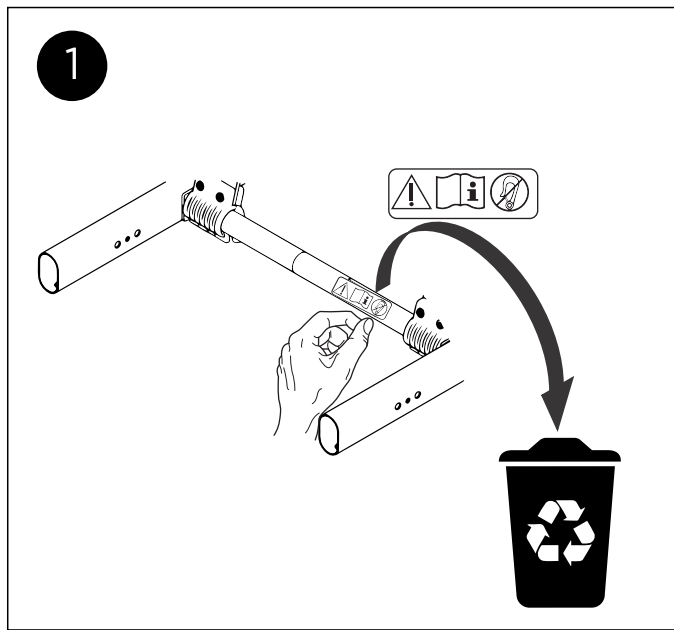
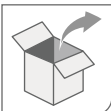



Transportation Kit for the **Rea Clematis Pro**




Invacare France
Operations SAS
Route de St Roch
37230 Fondettes, France







Ⓐ 2x 

Ⓒ 2x 

1x





Ⓑ 2x 

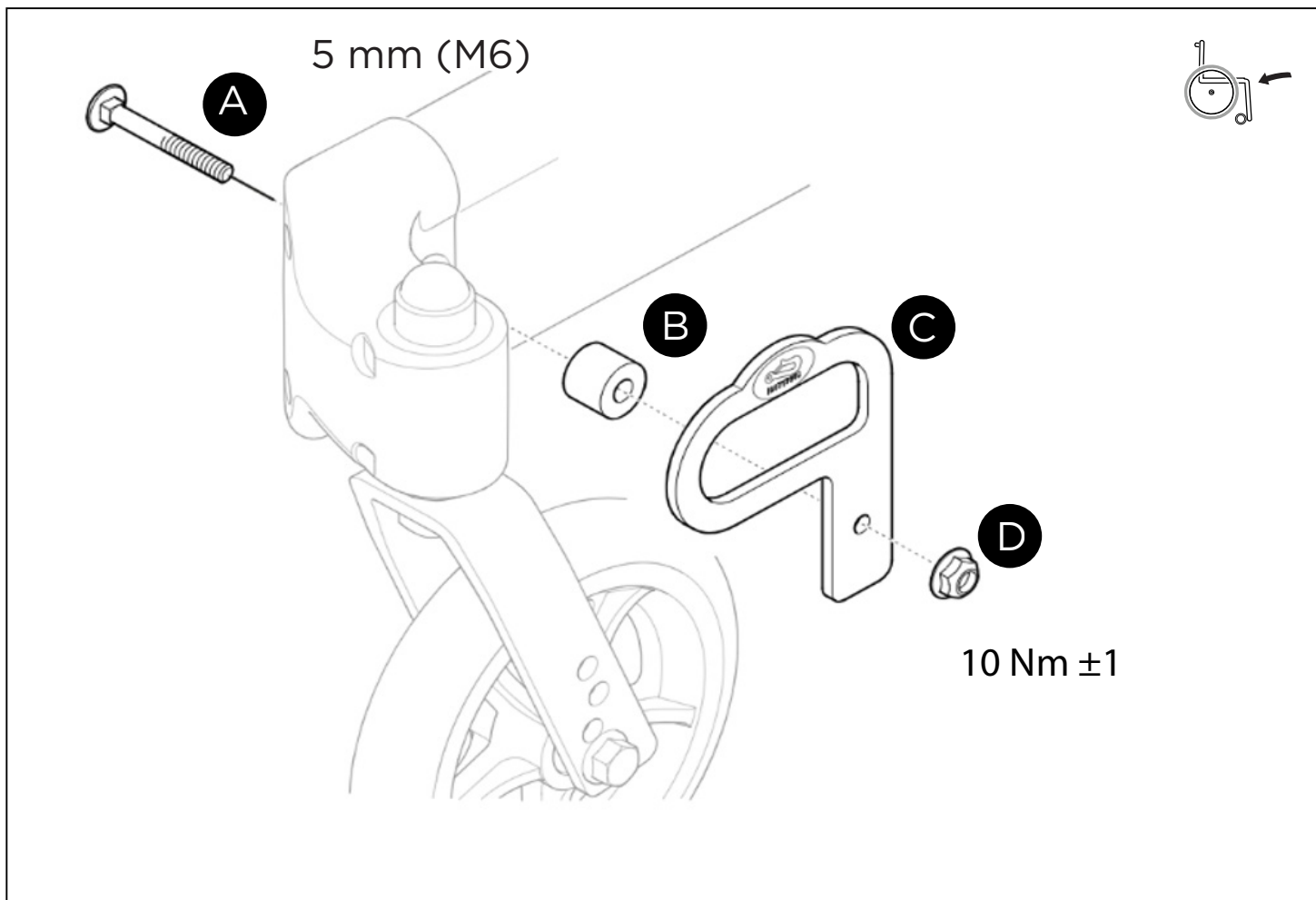
Ⓓ 2x
M6 

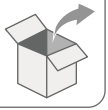
Transportation Kit for the **Rea Azalea**



 5 mm (M6)
5 mm (M8)

 13 mm (M8)
10 mm (M6)





A 2x
M8x18

B 2x

C 2x
M8

D 2x

E 2x

F 2x

1x



Transportation Kit

for the **Rea Dahlia**

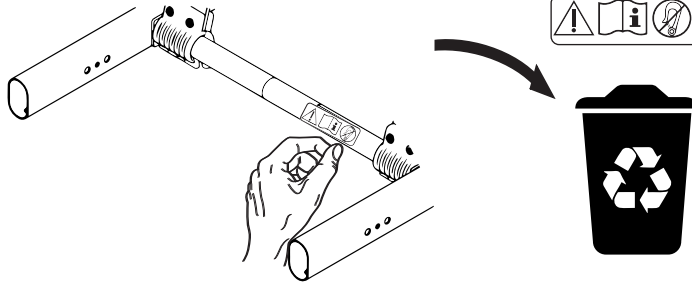


5 mm (M6)
5 mm (M8)

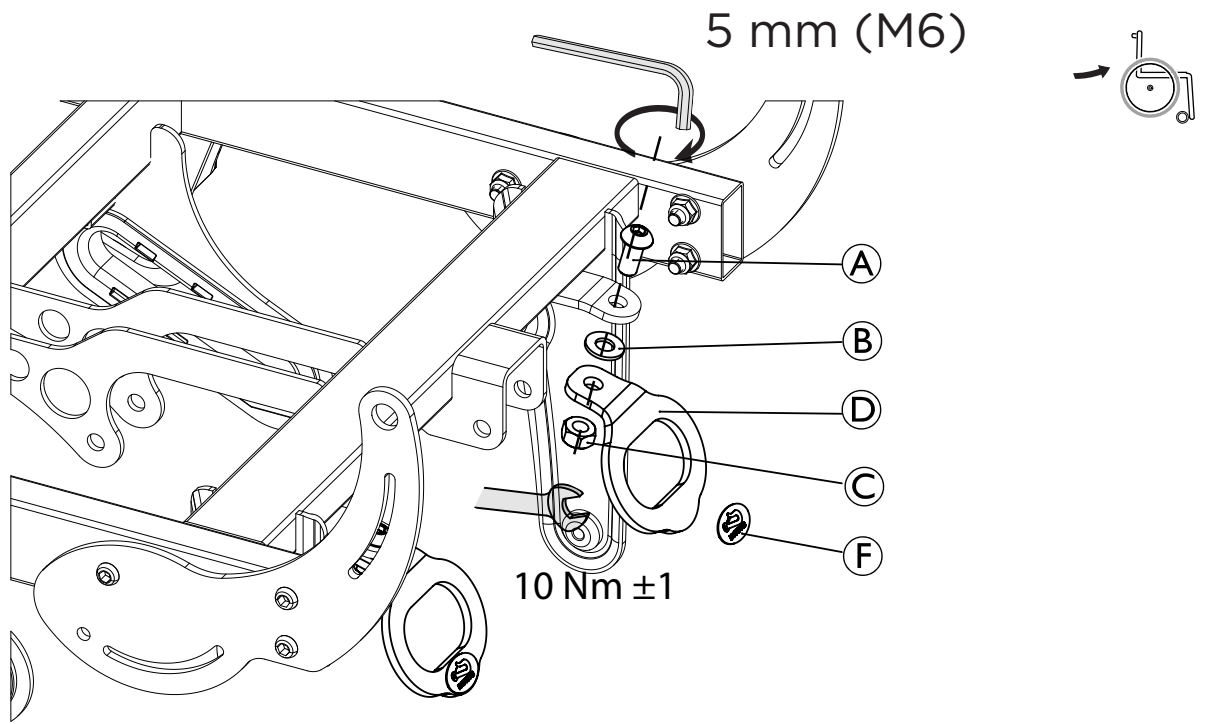


13 mm (M8)
10 mm (M6)

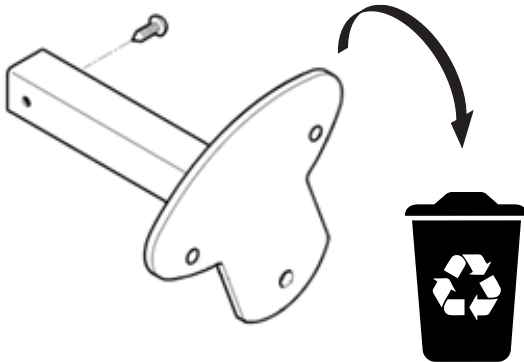
1



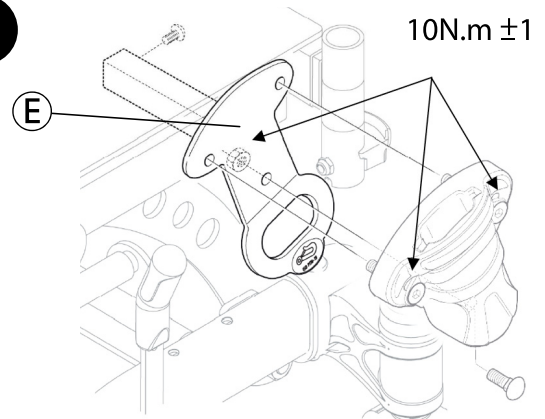
2




3



4



 Invacare France
Operations SAS
Route de St Roch
37230 Fondettes, France



Yes, you can.®